

# Equinox M5

2.0 Bookshelf Speakers



**Optical  
Audio**



**HDMI  
ARC**



**RCA Input**



**Digital Signal  
Processor**



**Bluetooth  
Audio**



**Equaliser**



**Remote  
Control**



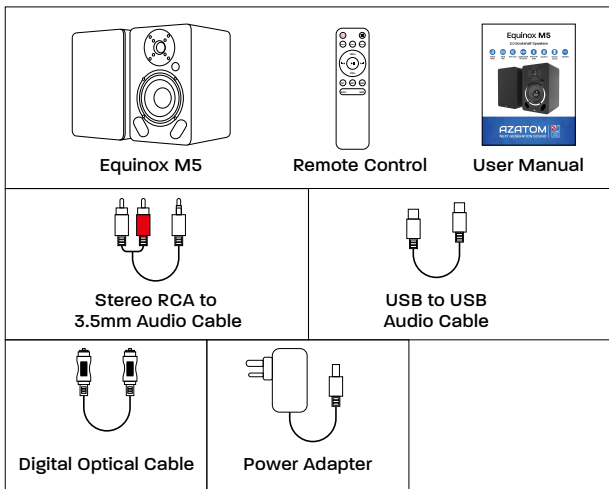
**USB MP3**



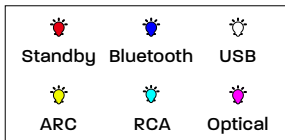
**AZATOM**  
NEXT GENERATION SOUND



## Box Contents

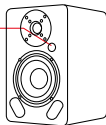


## LED Indicators



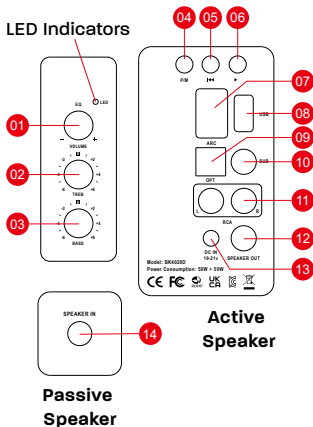
Infrared receiver

Active Speaker



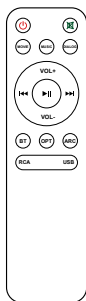
# Controls & Interface

## LED Indicators



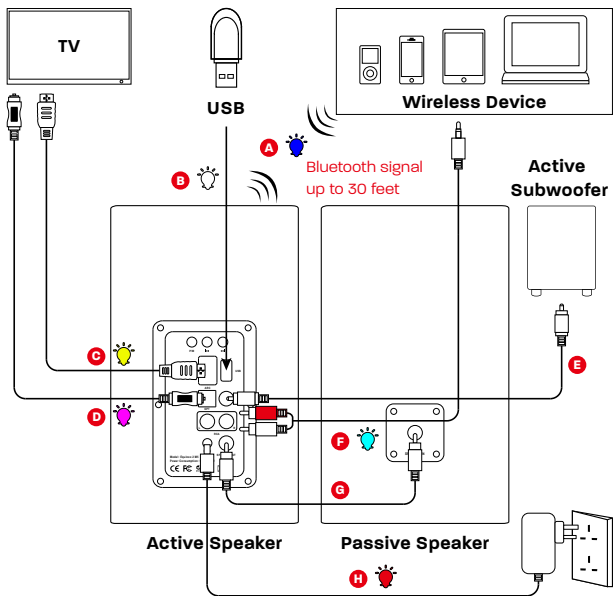
**01. Volume Control / Sound Effects**  
 Press in to navigate between audio sources: Music --> Dialogue --> Movie

- 02. Treble Control**
- 03. Bass Control**
- 04. Power Switch / Input Selection**
- 05. Previous Track**
- 06. Next Track**
- 07. ARC Input Port**
- 08. USB Input Port**
- 09. Optical Input Port**
- 10. SUB Output Port**
- 11. RCA Input Port**
- 12. Left Speaker Audio Output**
- 13. Power Port**
- 14. Left Speaker Audio In**



	Power Button		Mute/Unmute
	Volume Up		Volume Down
	Previous Track		Next Track
	Play/Pause		Optical Mode
	ARC Mode		Bluetooth Mode
	USB/DAC Mode		Line Mode
	Movie Mode		Music Mode
	Dialogue Mode		

# Connection Diagram

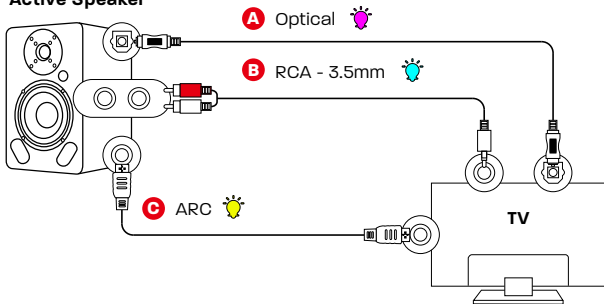


- A** Bluetooth
- B** USB (supplied)
- C** ARC (not supplied)
- D** Digital Optical Cable (supplied)
- E** RCA - RCA (not supplied)
- F** RCA to 3.5mm Audio Cable (supplied)
- G** RCA to RCA Audio Cable (supplied)
- H** Power Adapter (supplied)



## TV Connectivity

### Active Speaker



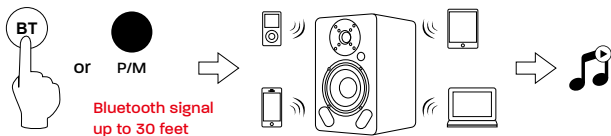
- A** Method 1. Connecting through a Optical cable. Select Optical mode and set the TV's audio output to "PCM". ([More Information on PCM Page](#))
- B** Method 2. Connecting through a RCA to 3.5mm cable. Select RCA mode and set the TV's audio output to "PCM". ([More information on PCM page](#))
- C** Method 3. Connecting through a HDMI ARC cable. Select ARC mode and set the TV's audio output to "PCM". ([More Information on PCM Page](#))

## Setting "PCM" on your TV

If all cables are connected and the LED indicator lights are functioning properly, but there is still no sound from the TV or soundbar, please adjust your TV settings as follows:

1. Press "Menu" on the TV's remote control.
2. Press the arrow keys on the remote to scroll to "Audio Settings."
3. Press "OK" on the remote control.
4. Scroll to "Advanced Audio" and press "OK". Some televisions may not have an "Advanced Audio" menu and may list various audio settings instead.
5. Scroll to "Audio Output Mode" or "Digital Audio Output Mode" and press "OK".
6. Scroll until "PCM" is displayed as the current audio output.
7. Press "OK" to save the settings.

## Bluetooth Connectivity



- a. Press the "BT" button on the remote or press the " P/M " button on back panel of the active speaker, the LED indicator will blink blue.
- b. Enable Bluetooth on the mobile device.
- c. Select "Equinox M5" and connect it. When your Bluetooth device is connected, the LED indicator will blink blue slowly.
- d. Enjoy your Music.

## Specifications

<b>Power Output:</b>	L/R: 50W + 50W
<b>Signal to Noise Ratio dB(A):</b>	L/R: $\geq 85$ dB (A)
<b>Input Sensitivity:</b>	LINE IN: R/L: $650 \pm 50$ mV
	ARC: R/L: $500 \pm 50$ mV
	OPT: R/L: $500 \pm 50$ mFFS
	Bluetooth: R/L: $700 \pm 50$ mFFS
<b>Frequency Response:</b>	35HZ-20KHZ
<b>Bass Unit:</b>	5.25 inch (134mm)
<b>Tweeter Unit:</b>	3.5 inch

## Troubleshooting

### No Sound

- Check if the power indicator light is ON.
- Turn up the volume using either the master volume control or remote control.
- Ensure the audio cables are firmly connected and the input is set correctly on the speakers.
- Check if there is signal output from the audio source.

### Cannot connect via Bluetooth

- Make sure the speaker is switched to Bluetooth mode, your device will not pair or connect when in other audio modes. Disconnect your Bluetooth devices by pressing and holding the volume dial in Bluetooth mode, then try again.
- Effective Bluetooth transmission range is 10 meters, please make sure your device is within the range.
- Try another Bluetooth device for connection.

### Equinox does not turn on

- Check if mains power is connected, and the wall outlet is switched on.

### Customer Service

Need help? Contact our customer service desk via Email ([customersupport@azatom.com](mailto:customersupport@azatom.com)) or via Phone (01740 629 901) Monday - Friday 9:00AM - 17:00PM and Saturday: 10:00AM - 14:00 PM



@AZATOM



THIS MANUAL IS AVAILABLE TO DOWNLOAD ONLINE AT [WWW.AZATOM.COM](http://WWW.AZATOM.COM)

AZATOM 2020 ALLRIGHTS RESERVED. AZATOM IS PART OF AZATOM GROUP LIMITED. SEE SITE FOR SAFETYINFORMATION. AZATOM RESERVE THE RIGHT TO WITHDRAW ANY AND ALL PROMOTIONS WITHOUT NOTICE. FOR FULL WARRANTY, EXTENDED WARRANTY AND PROMOTIONAL OFFER TERMS & CONDITIONS PLEASE VISIT [WWW.AZATOM.COM/TERMS-CONDITIONS](http://WWW.AZATOM.COM/TERMS-CONDITIONS).

AZATOM GROUP LIMITED, TEES VALLEY COURT, WYNYARD BUISNESS PARK, BILLINGHAM,  
TS22 5FE. UNITED KINGDOM